



IView

CMA 64 Microdialysis Catheter

- ▶ Reliable and accurate blood monitoring for three days
- ▶ Easy insertion using a standard peripheral venous catheter

The IVIEW CMA 64 Microdialysis Catheter is a minimally invasive sterile single use device intended for continuous monitoring of energy related metabolites, drugs and their metabolites and other small substances in blood.

The solution for continuous blood monitoring

THE IVIEW CATHETER is a unique device that enables tight glycaemic control as well as detection and management of severe complications as sepsis in the ICU. No blood is drawn, the patient discomfort is reduced as well as an overall reduced health care risks.

THE MICRODIALYSIS BASED CATHETER allows small substances to diffuse into the catheter reflecting accurate concentrations in the blood. The catheter is perfused with a physiologic solution, and the samples are collected in microvials for bedside analysis as often as every minute. The catheter forms a complete monitoring system together with the CMA107 Microdialysis Pump and the ISCUS Microdialysis Analyzer.

THE IVIEW CATHETER is applied simply using a standard peripheral venous catheter and can be used intravenously for up to 72 hours of monitoring. The clean samples and possibility for frequent sampling without discomfort for the patient makes it ideal for clinical research.

PERFORMANCE IS OPTIMIZED by using a perfusion fluid containing an anticoagulant dalteparin sodium to avoid blood clotting.

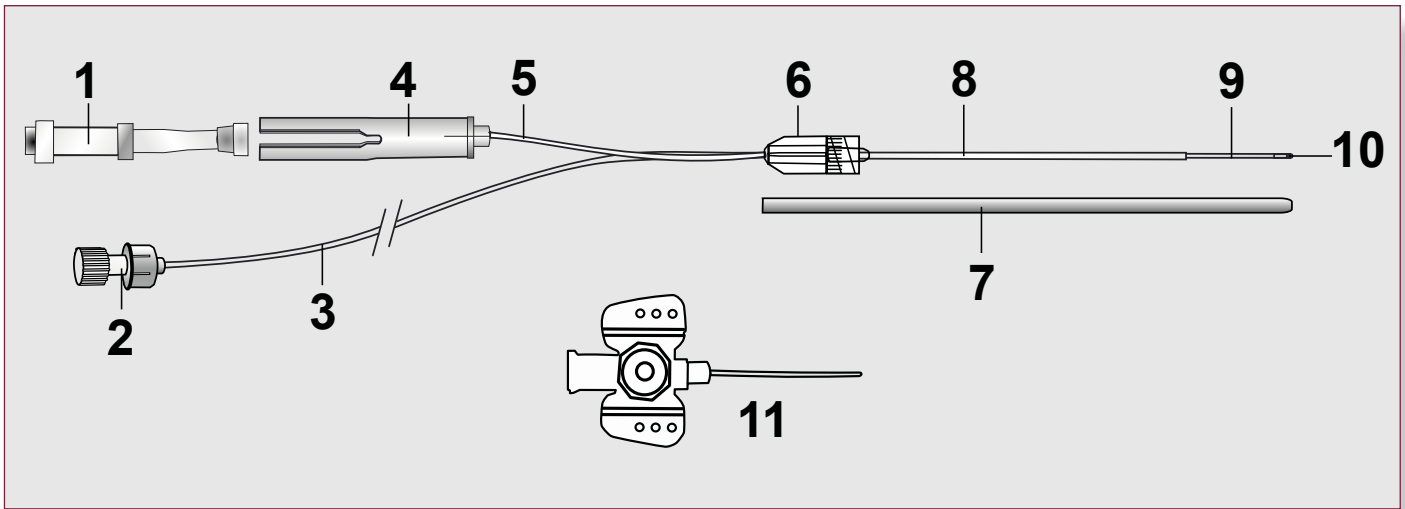
THE IVIEW CATHETER is intended for continuous monitoring of hospitalized patients during surgery, intensive care or in the general wards. The catheter is also excellent for continuously monitoring the free fractions of drugs in blood during pharmacokinetic and pharmacodynamic studies.



CMA *Microdialysis*

www.microdialysis.com

Box 2, SE-171 18 Solna, Sweden
Tel: +46 8 47010 00 Fax: +46 8 470 10 50
E-mail: CMA@microdialysis.se



- | | |
|---|--|
| 1. Microvial (Polystyrene + Santoprene) | 7. Protection tube (Polyethylene) |
| 2. Luer lock connection (Polycarbonate) | 8. Inner Shaft (Polyurethane) |
| 3. Inlet tube (Polyurethane) | 9. Dialysis membrane (Polyarylethersulphone) |
| 4. Vial holder (Polycarbonate) | 10. Gold thread within the catheter membrane tip |
| 5. Outlet tube (Polyurethane) | 11. Peripheral Venous Catheter (Polypropylene, ABS, Chrome-nickel Steel, Polyurethane) |
| 6. Liquid cross (Polysulfone) | |

TECHNICAL INFORMATION

	Material	Length mm 8010520	Length mm 8010521	ø mm
shaft	Polyurethane	46	46	0.9
membrane	Polyarylethersulphone, PAES	10	20	0.6
inlet tube	Polyurethane	200	200	1.0
outlet tube	Polyurethane	45	45	1.0

membrane cut-off: 20000 Dalton

membrane characteristics: The IView membrane has a very smooth outer surface especially developed for use in blood

ORDERING INFORMATION

	Ref. No.
IView CMA 64 Microdialysis Catheter 55/10 Including introducer	8010520
IView CMA 64 Microdialysis Catheter 55/20 Including introducer	8010521
Accessories	
Microvials 250/pkg	P000001
Microvial Rack 12/pkg	P000028
Microvials in rack, Sterile 12x4	P000154

CE CE marked according to the Medical Device Directive, 93/42/EEC

STERILE Sterilised by β -radiation

Storage temperature: 4-25 °C

Single use only

Shelf life: 2 year from manufacturing date

